

Masport®

EUROPEAN ROTARY MOWERS

SERIES 18 - OPC

MASPORT	<u>Part number</u> 979893	<u>Model</u> 200 ST	<u>Engine</u> B & S Series 450
---------	------------------------------	------------------------	-----------------------------------

Month and Year of First Manufacture - January 2008
SERIAL NUMBER STARTING FROM - 7401786

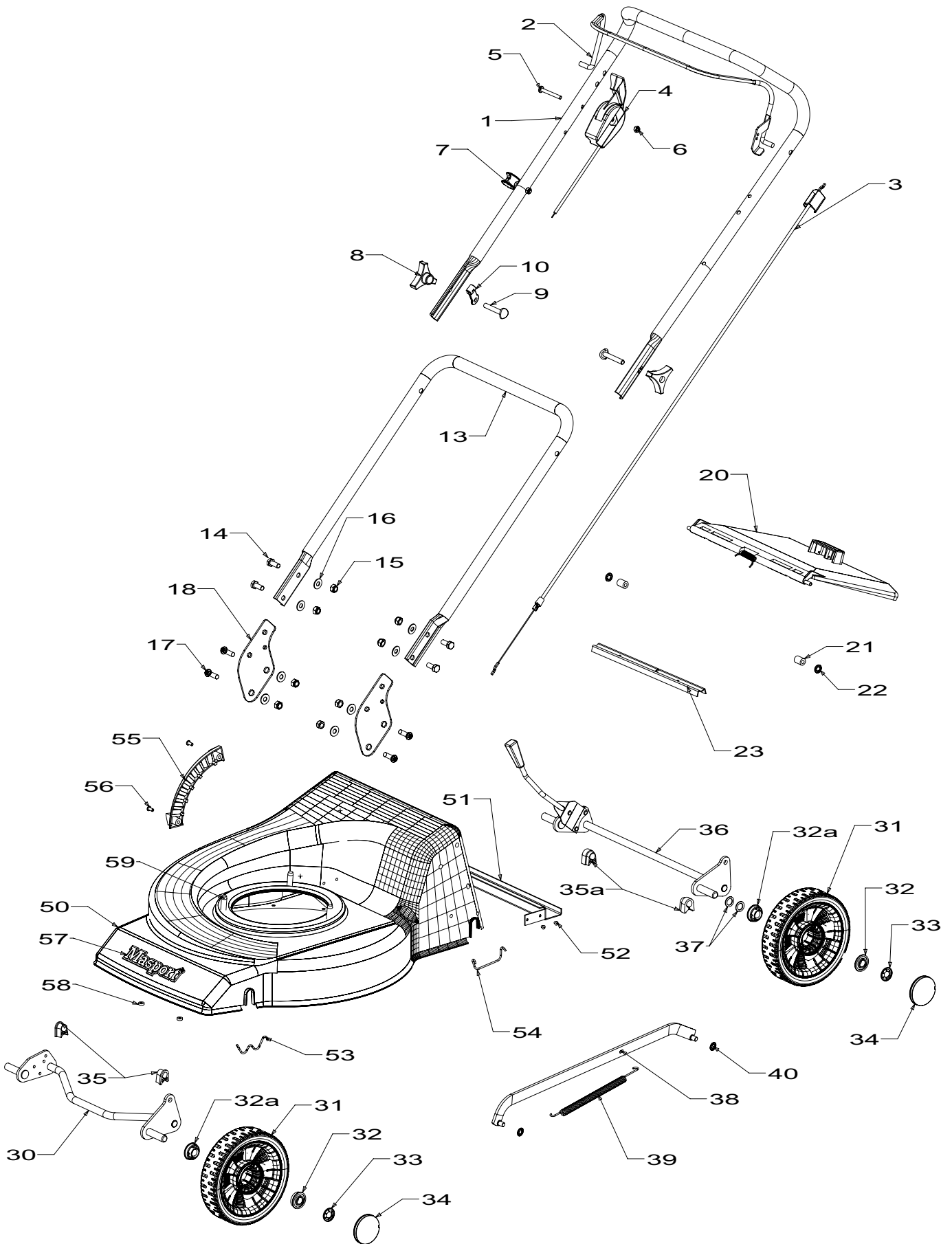




Powered by:
200 ST : Briggs & Stratton Series 450

Masport

Issue C.1
October 2012
REF # 779893/S



When ordering PLEASE QUOTE PART NUMBER & Description, NOT Illustration No.
Determine right or left hand side from standing in operating position (standing at handle)



Powered by:
200 ST : Briggs & Stratton Series 450

Masport

Issue C.1
October 2012
REF # 779893/S

Item No	Part No	Description	Qty	Item No	Part No	Description	Qty
1	971022	Handle Assy- Upper, Upt, OPC	1	50	781468	Housing Assy- Stl 18" ODS Ttnm	1
2	981740	Bail Arm Assy, OPC Flatnd	1			incl items 51 - 52	
3	581656	Cable- Engine, OPC Push	1	51	583267	*Brace- Rear	1
4	583458	Control-Throttle Assy, Wescon	1	52	581369	*Rivet- Pop 4.0x3.2 S/S	4
5	503604	Screw, Pan M6 x 45	1	53	529674	Retainer-Axle W, Front	2
6	501764	Nut, Nyloc M6	1	54	579292	Retainer-Axle, Rear	2
7	703856	Comfort Start Kit	1	55	580025	Quadrant- Height Selector	1
8	574230	Knob- Plastic, M8 Insert	2	56	503660	Rivet- Pop 4.8x9.0	2
9	574218	Bolt, SPH M8x53x35	2	57	581240	Nameplate- Masport	1
10	581527	Retainer- Clutch Cable	1	58	503150	Clip- Starlock, 5Dia	2
		__==__		59	580453	Screw, S/T 3/ 8" x 1 1/8"	3
13	971017	Handle-Lower, "U", OPP Long	2			__==__	
14	501597	Screw, Set M8x20 Hex	4			NOT ILLUSTRATED	
15	501793	Nut, Nyloc M8	8				
16	501606	Washer, Flat 8x19x1.6	8				
17	503643	Screw, Set M8x25 BTN/HD	4	503054		Tie- Nylon, Cable	4
18	579689	Bracket- Flap, OPP	2	580778		Stop-Rope	1
		__==__		569324		Owners Manual	1
20	781532	Flap Assy-Plastic	1	503488		Clamp- Throttle Cable, B&S	1
21	579733	Spacer- Flap	2	503489		Screw, Set M5x 16 Tap/C	1
22	503574	Clip- Starlock, 6 Dia	2	573158		Decal, Hsg S18 200ST	1
23	583151	Dust Seal- Flap	1	573159		Decal, noise S18 200 96BD	1
		__==__		580057		Instruction sheet bag catcher	1
30	581269	Axle-Front, 175mm	1	580577		Decal, Catch Assyins thermal	1
31	579495	Wheel Assy-175mm PB Cobra	4	581384		Decal, Throttle Euro	1
		incl items 32, 32a		581413		Decal, Handle-Power Drive OPC	1
32	551212	*Bearing- Wheel	4	582049		Decal, Flap Caution	1
32a	579694	*Bearing- Wheel, Plastic	4				
33	503236	Clip- Starlock, 1/2"	4				
34	579202	Hub Cap, Button Spoked	4				
35	580030	Bush-Pivot, Front Axle	2				
35a	580668	Bush-Pivot, Rear Axle	2				
36	969241	Axle Assy- Rear, Complete	1				
37	503301	Washer, Flt 1/2x3/4x18G	2				
38	972288	Rod Assy-Connecting, 460	1				
39	581463	Spring-Counter Balance	1				
40	501365	Clip-Starlock, 5/16"	2				
		__==__					

Bold Text = Assemblies
Bulleted Text = Items included in Assemblies

When ordering PLEASE QUOTE PART NUMBER & Description, NOT Illustration No.
Determine right or left hand side from standing in operating position (standing at handle)

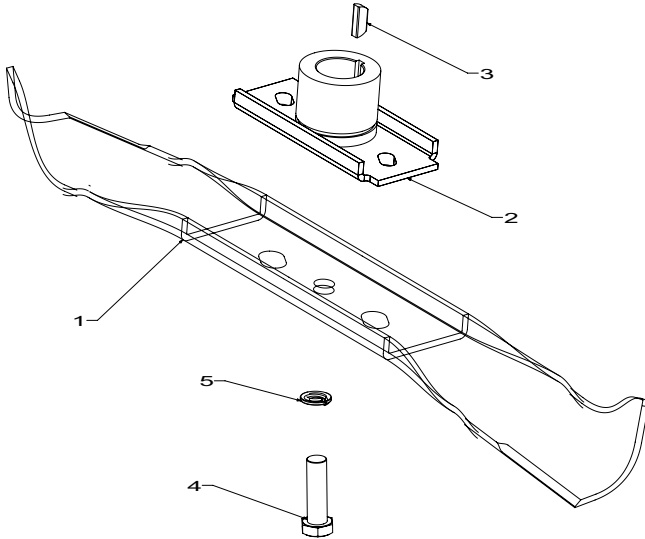


Powered by:
200 ST : Briggs & Stratton Series 450

Masport

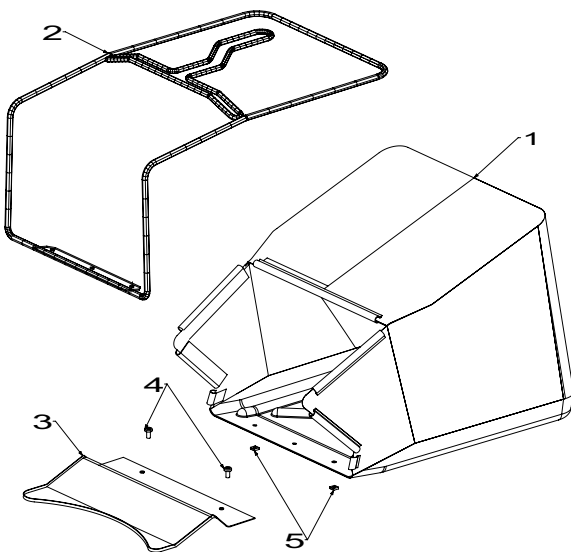
Issue C.1
October 2012
REF # 779893/S

460mm Bar Blade Assembly



Item	Part No	Description	Qty
1	911181	Blade- Bar, 460 mm	1
2	911106	Driver Assy-Blade - 7/8	1
3	500636	Key- W/ruff 5/8x5/32x1/4	1
4	581610	Screw, Set NF 3/8x1.25 NYG8	1
5	500204	Washer, Spring 3/8"	1
	711181	Blade Bar Pack	1
		<i>(incl items 1,4 and 5)</i>	

Catcher Assembly Fabric - 779349



Item	Part No	Description	Qty
1	580037	Bag Assy, Catcher	1
2	579312	Frame Assy, Catcher 18"	1
3	580036	Lip, Catcher	1
4	503591	Screw, Pan M6x12	2
5	502098	Nut, M6 Square Pressed	2