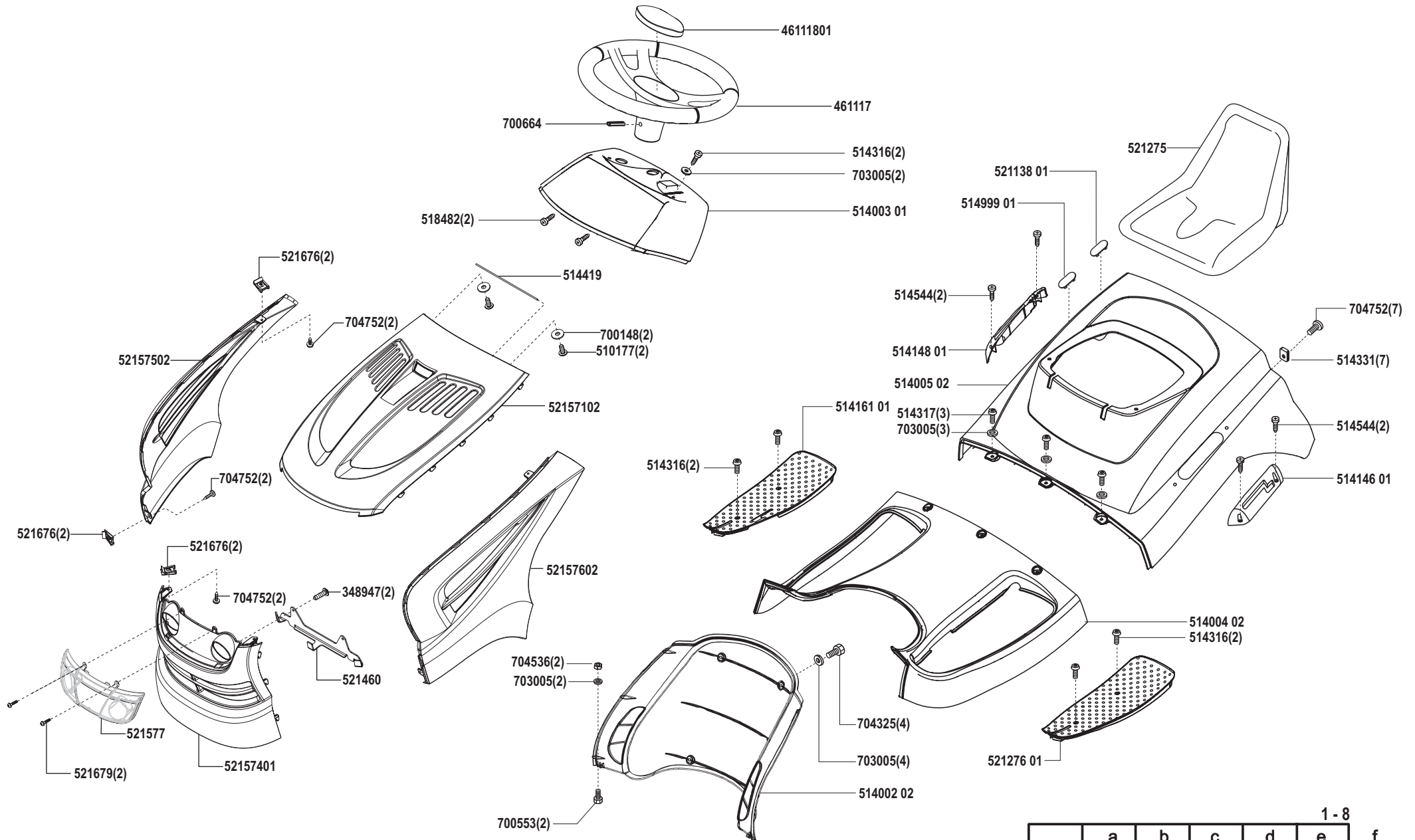


T 850 R

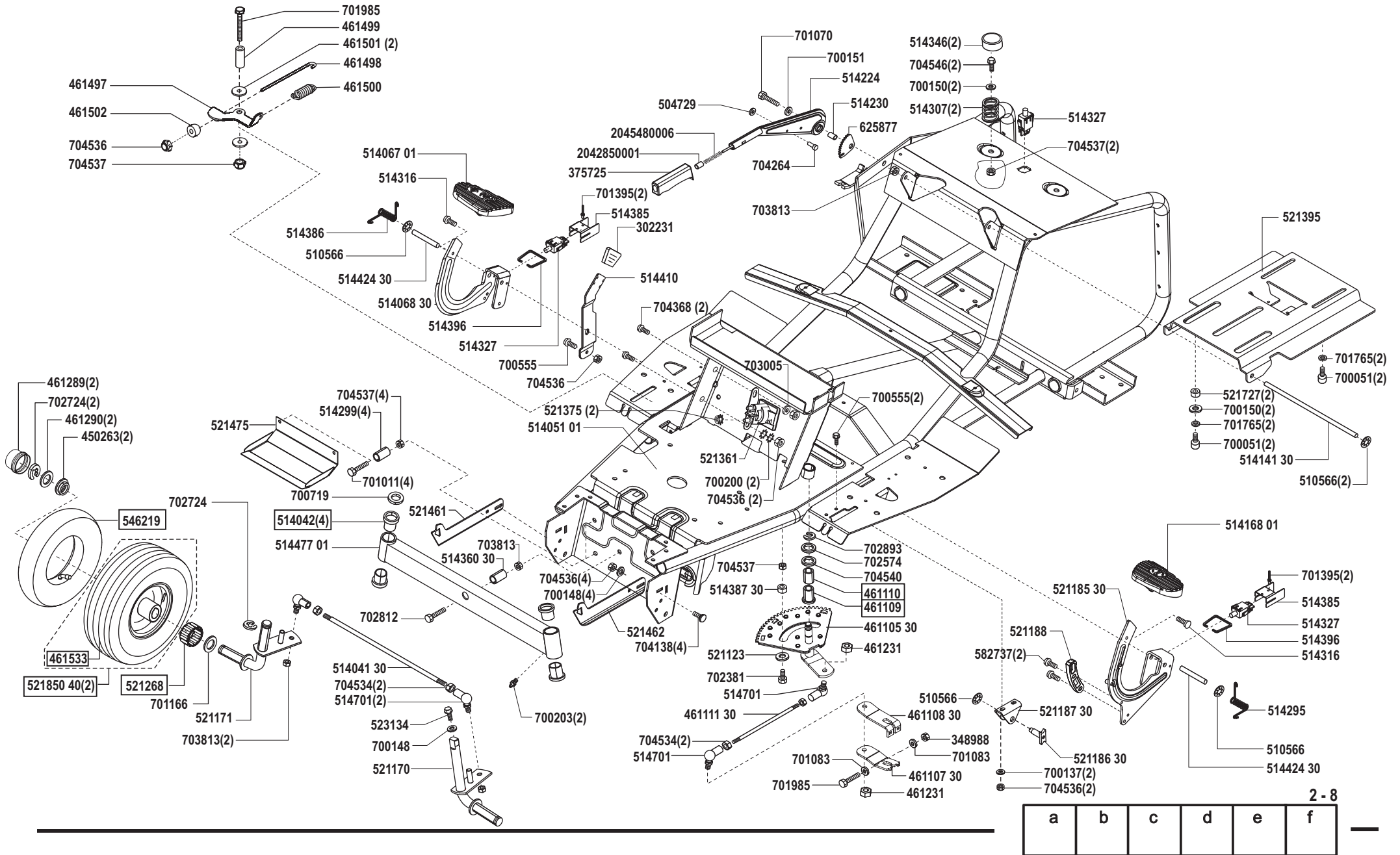
Art. Nr. 118914



					1 - 8	
09/06	a	b	c	d	e	f

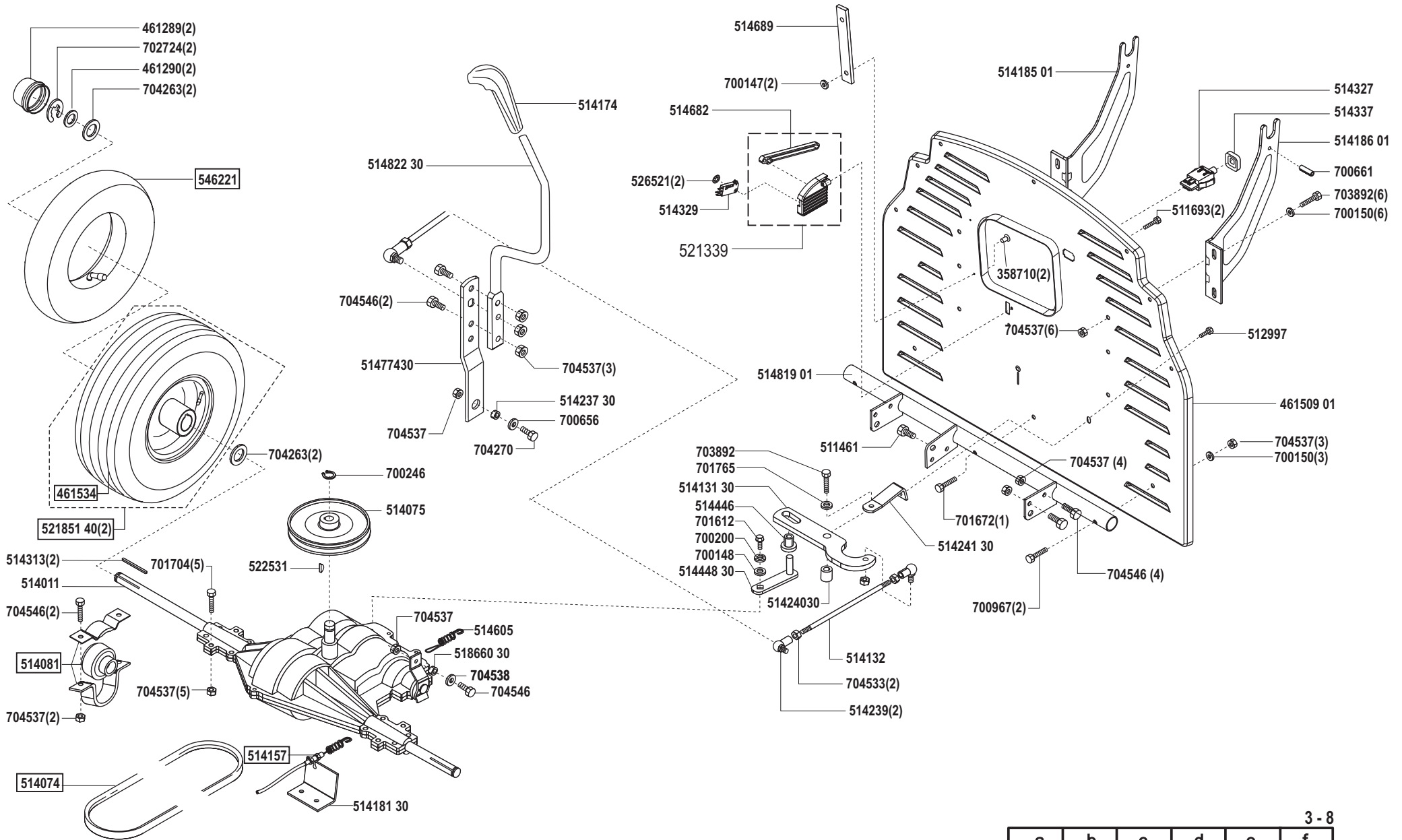
T 850 R

Art. Nr. 118914



T 850 R

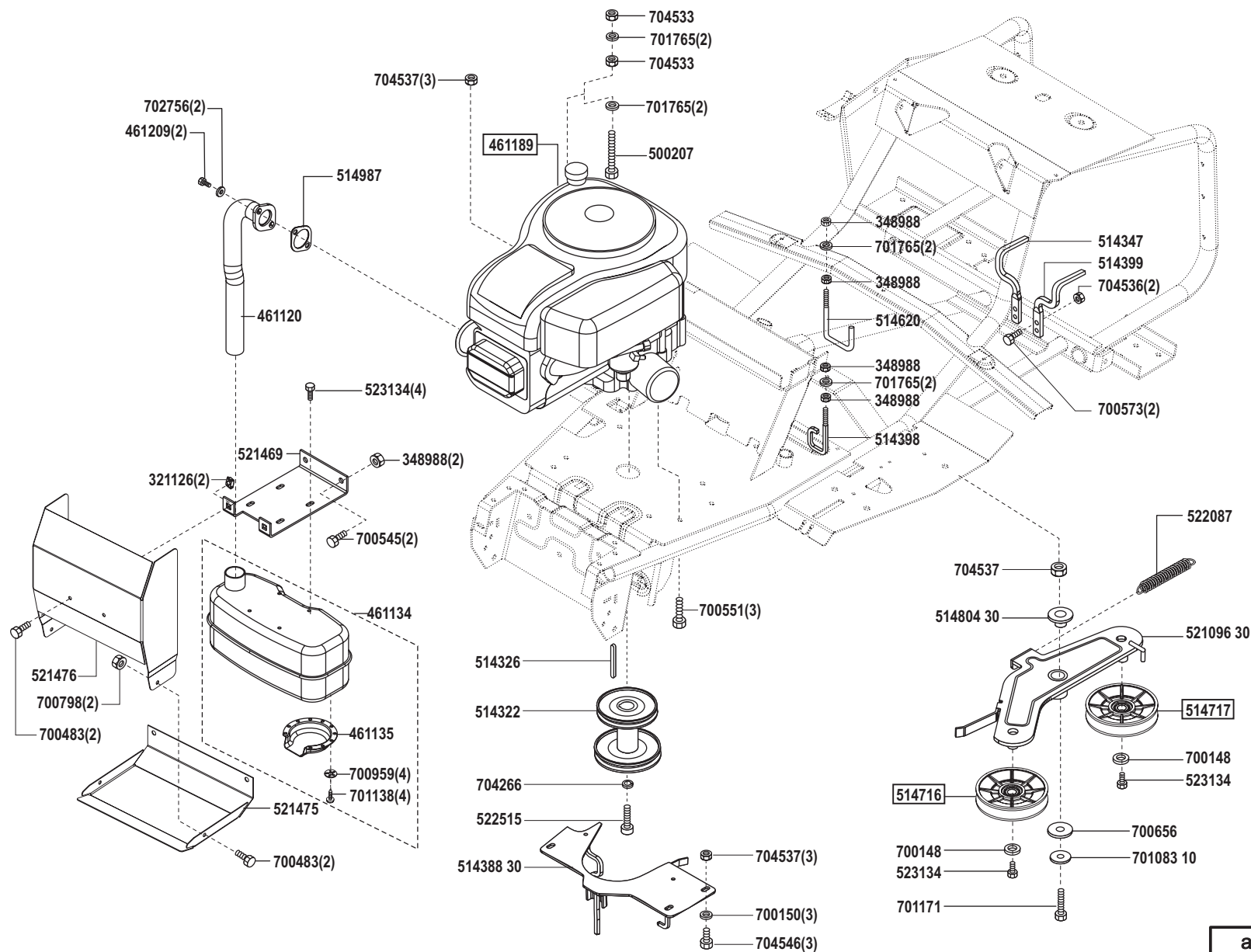
Art. Nr. 118914



a	b	c	d	e	f
---	---	---	---	---	---

T 850 R

Art. Nr. 118914



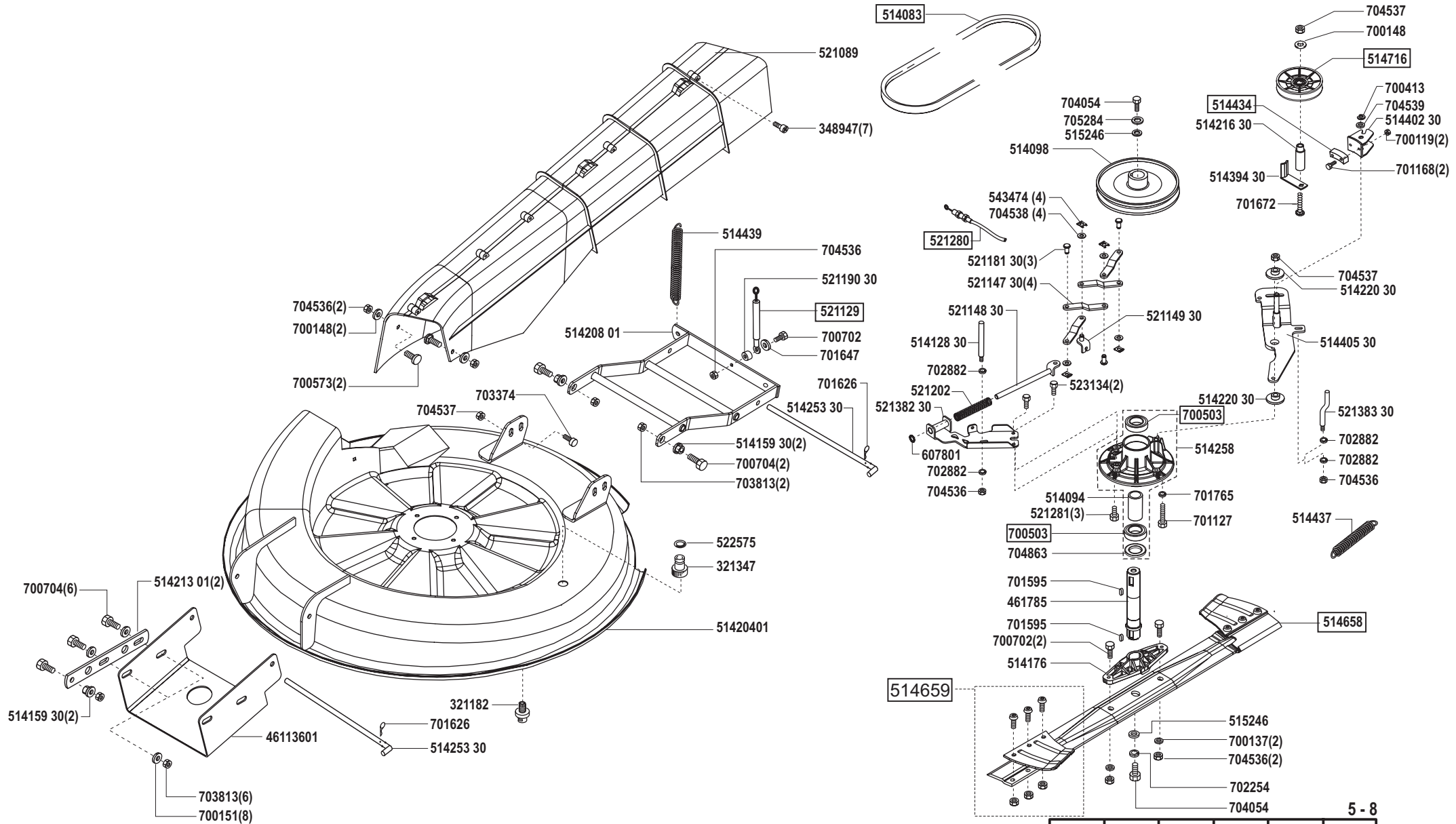
a	b	c	d	e	f
---	---	---	---	---	---

T 850 R

Art. Nr. 118914

ALKO

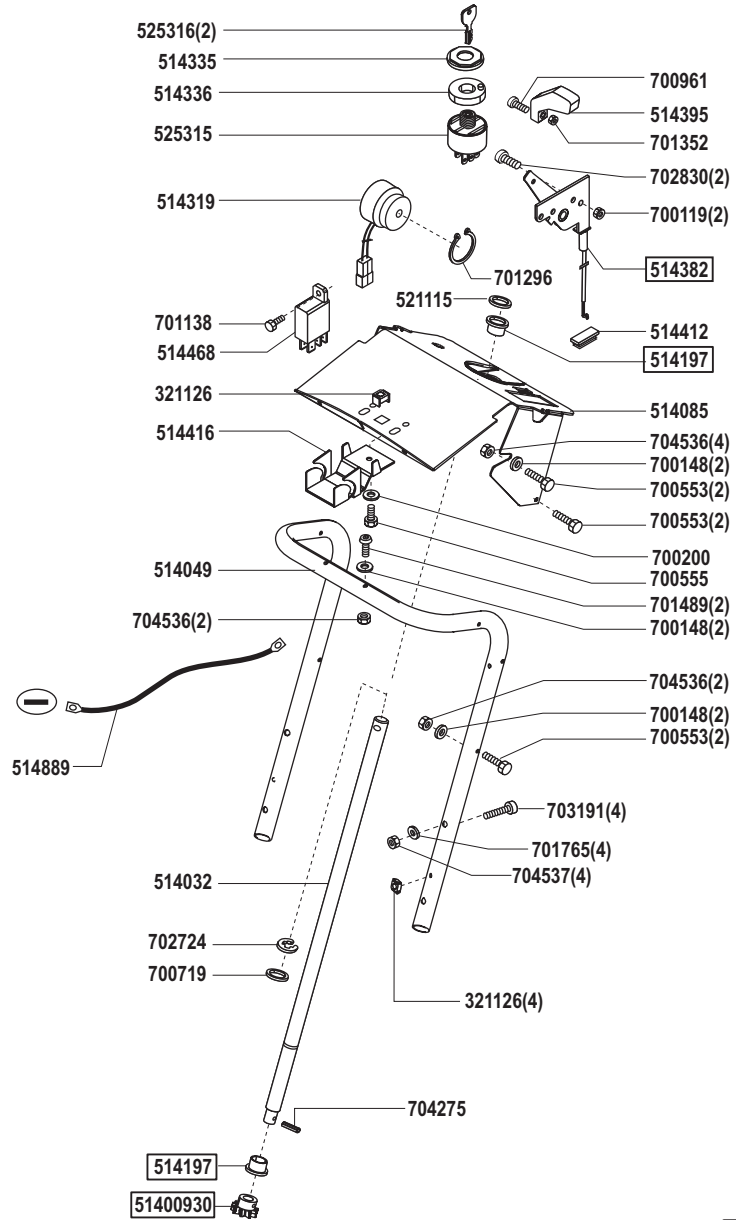
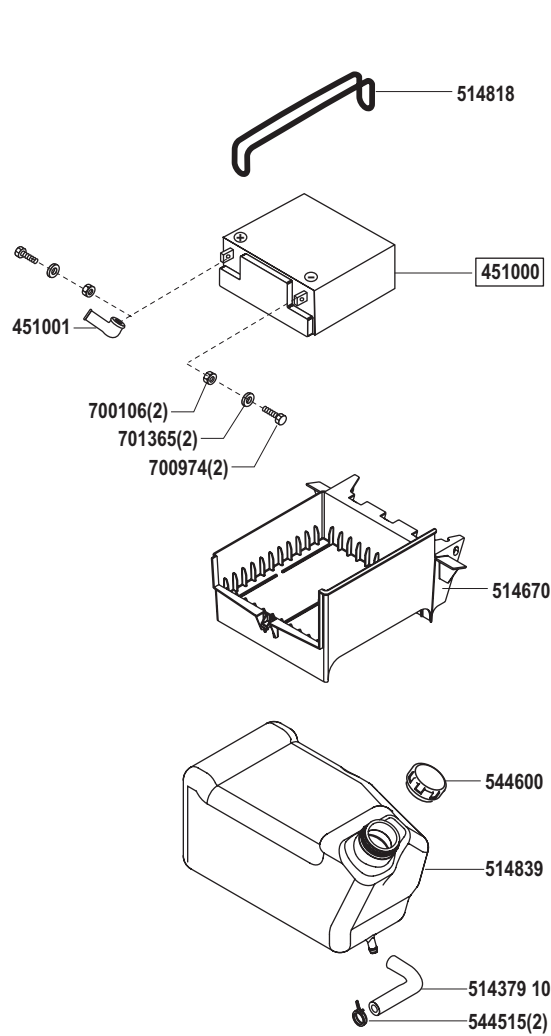
Garten+Hobby



a	b	c	d	e	f
02/07					5 - 8

T 850 R

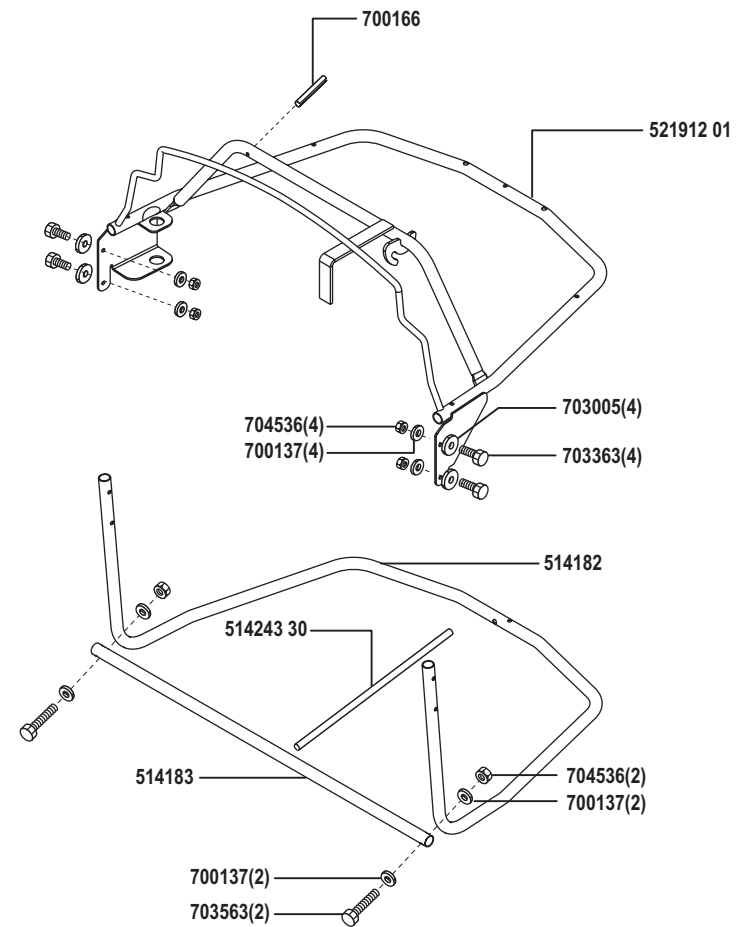
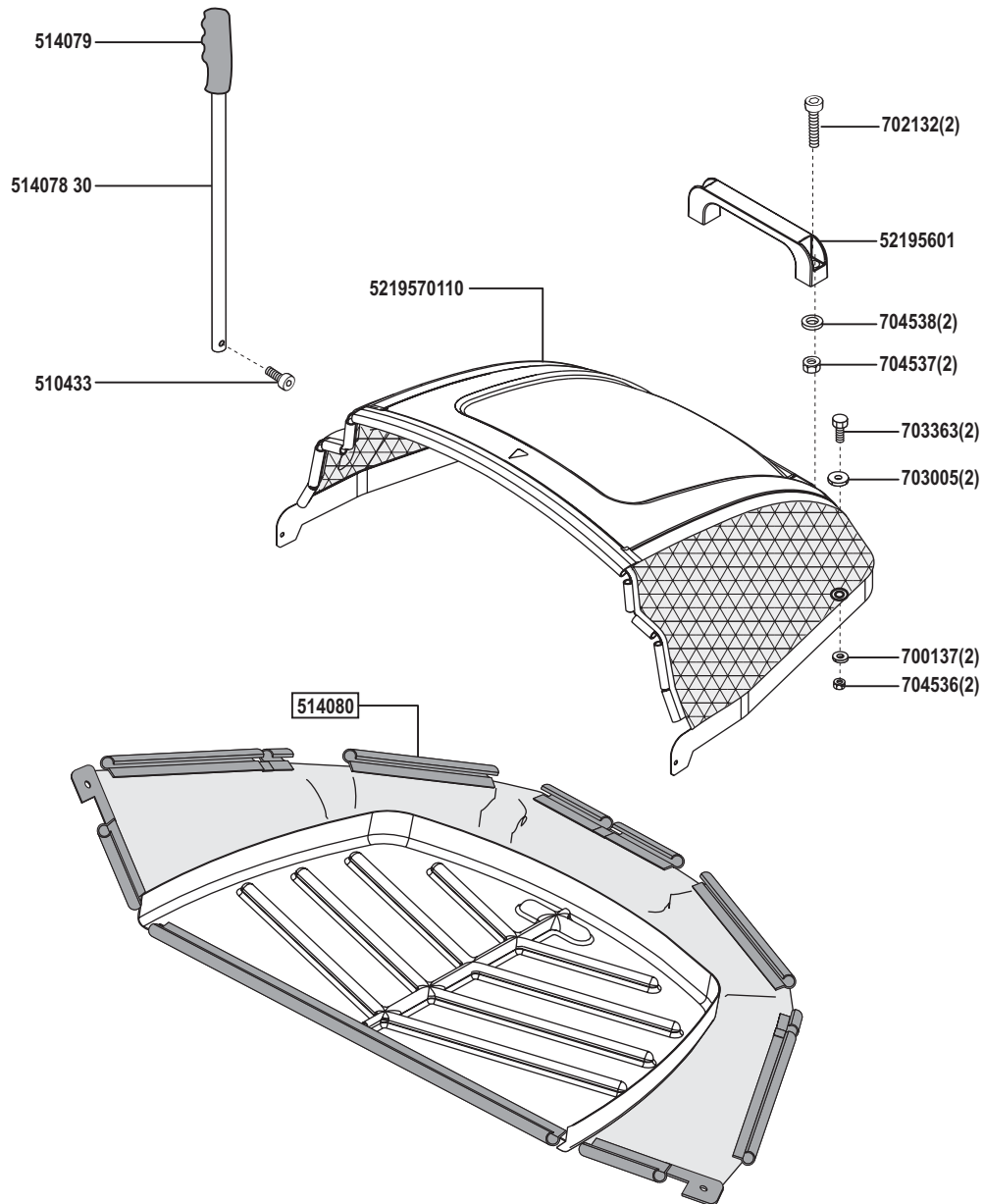
Art. Nr. 118914



a	b	c	d	e	f
---	---	---	---	---	---

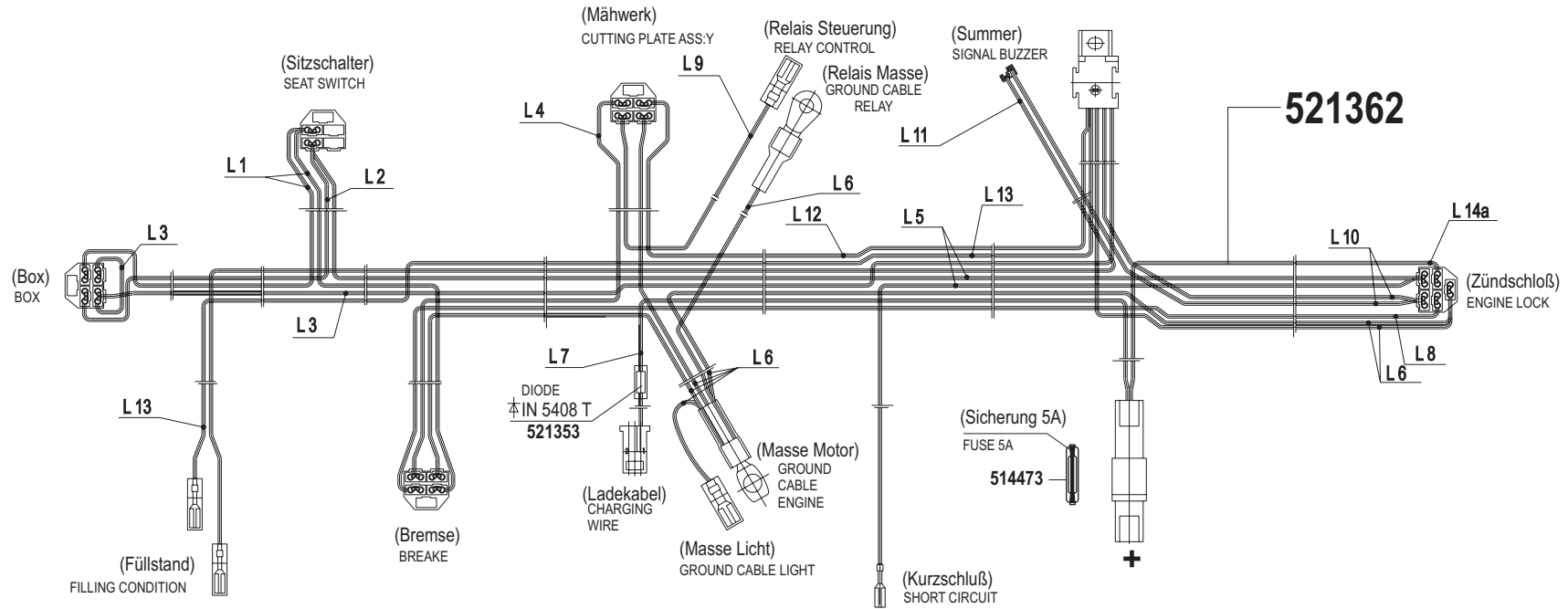
T 850 R

Art. Nr. 118914

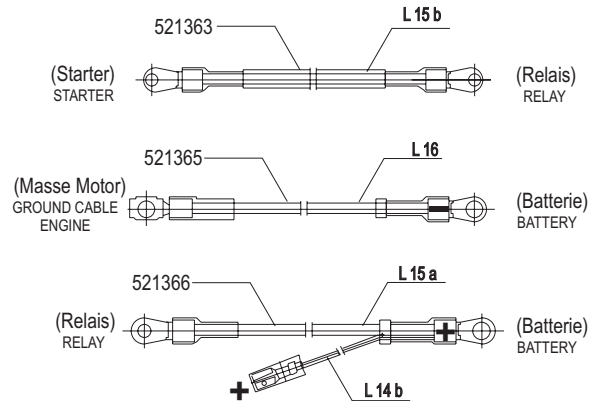


7 - 8

a	b	c	d	e	f
---	---	---	---	---	---



- | | | |
|----------|-------------|------------|
| L 1 | = rosa | pink |
| L 2 | = grau | grey |
| L 3 | = weiß | white |
| L 4 | = braun | brown |
| L 5 | = grün | green |
| L 6 | = schwarz | black |
| L 7 | = rot | red |
| L 8 | = violett | violet |
| L 9 | = orange | orange |
| L 10 | = gelb | yellow |
| L 11 | = blau | blue |
| L 12 | = rot/weiß | red/white |
| L 13 | = weiß/blau | white/blue |
| L 14 a | = rot | red |
| (L 14 b) | = rot | red |
| (L 15 a) | = rot | red |
| (L 15 b) | = rot | red |
| (L 16) | = blau | blue |



Schaltplan Traktor E-Start
CONNECTION DIAGRAM E-STARTER

